

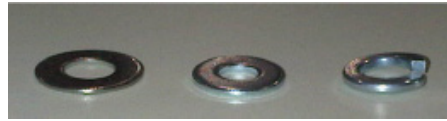
Assembly Instructions

for Headwall Floor Stand

Hardware List (Left to Right)



- (A) - Bolt - 5/16" x 3"
- (B) - Bolt - 3/8" x 1 1/4"
- (C) - Bolt - 3/8" x 1"



- (D) - Flat Washer - 3/8"
- (E) - Flat Washer - 5/16"
- (F) - Lock Washer - 3/8"



- (G) - Nylon Lock Nut - 3/8"
- (H) - Hex Nut - 3/8"
- (J) - Nylon Lock Nut - 5/16"

Part List (Left to Right)



- (K) - BT-FLSTAND-TUBE
- (L) - BT-FLSTAND-CROSSBAR
- (M) - BT-FLSTAND-BASE

Tools Required (Not Provided)

- 9/16" wrench
- 1/2" wrench

INSTALLATION INSTRUCTIONS

1. Locate position of the installation hole on BT-FLSTAND-TUBE and proceed to install to BT-FLSTAND-BASE as follows using the following hardware: 1 of (B), 2 of (D) and 1 of (G)



2. Repeat above step for the second BT-FLSTAND-TUBE also using 1 of (B), 2 of (D) and 1 of (G)
3. Locate and position the BT-FLSTAND-CROSSBAR across as is shown below using 2 of (C), 4 of (D) and 2 of (G):



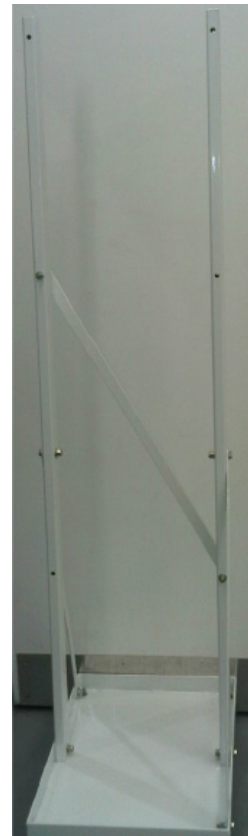
4. Repeat above step by setting the BT-FLSTAND-CROSSBAR diagonal to the BT-FLSTAND-CROSSBAR inserted in the above step. This is shown below:

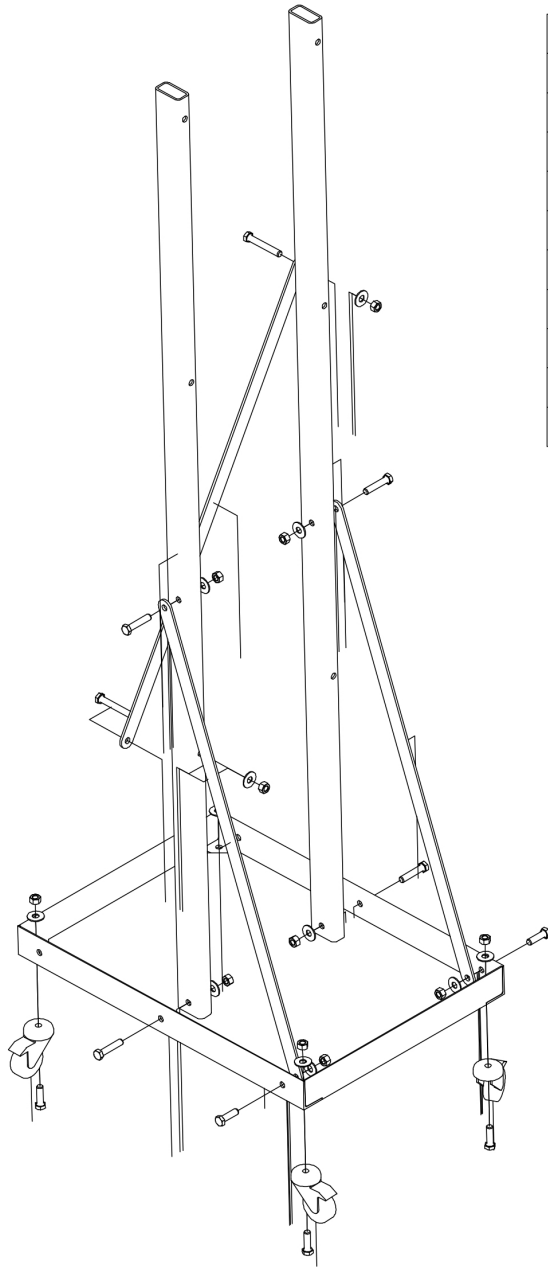


5. Insert the BT-FLSTAND-CROSSBAR across the two BT-FLSTAND-TUBE using 2 of (A), 4 of (E) and 2 of (J). This is shown below:



6. Tighten all nuts and bolts to ensure rigidity of the floor stand.
7. Installation is now complete.





PARTS LIST			
ITEM	QTY	PART NUMBER	DESCRIPTION
3	1	BT-FLSTAND-BASE	Base Frame
4	2	BT-FLSTAND-TUBE	Rectangular Tube
5	3	BT-FLSTAND-CROSSBAR	Cross bar support
6	4	M-CAS-FLOOR1	Casters
7	4	H-X-CS-0498-17	Screw
12	6	H-X-CS-0498-12	Screw
14	2	H-X-CS-0498-25	Screw
17	12	H-X-NLN-0498	Nut
18	12	H-X-WASHER-FH-04	Washer